

INSTALLATION MANUAL

PRODUCT: ALUMINUM ROOF RACK
MODEL: TOYOTA HILUX (2015-ON)
PART NO: 2D.5720.1.K/2D.0004.1



CAUTION!

To reduce the risk of serious injury or damage, please read and understand all instructions and procedures before attempting to install or use this product.
Safety glasses must be worn at all times during installation or maintenance of this product.
Ensure all mounting bolts are tensioned after 1000 kms and periodically there after.

ROOF RACK

Part Number: 2D.0004.1 - roof rack
2D.5720.1.K - fitting kit
Suited to vehicle: Toyota Hilux 2015-
Material: Aluminum
Dimensions: 1433x1070x163mm
Weight: 15kg



SAFETY NOTICE

- * The RIVAL roof rack is designed to compliment the use and design of the specified vehicle under conditions specified by the car manufacturer.
- * While driving the vehicle at any speed, collision with any other vehicle, animal or object must always be avoided.
- * The operation of a vehicle where the roof rack is not properly attached and fastened to the vehicle, or where it has been damaged, must be avoided at all cost.
- * It is recommended that you carry out regular inspections of all the bracket fittings.

INSTALLATION NOTICE

- * The RIVAL roof rack must be mounted and affixed to the vehicle according to the installation manual provided by an authorized RIVAL dealer or Motor dealer or by a special vehicle repair or fitment center.
- * Personal safety during the installation process must be adhered to at all times and the use of personal safety equipment is highly recommended.

REQUIRED TOOLS

TORQUE SETTING

- * Basic tool kit
- * Electric drill
- * Drill set
- * Marker
- * Knife
- * Polyurethane body sealant

*M8 30 Nm

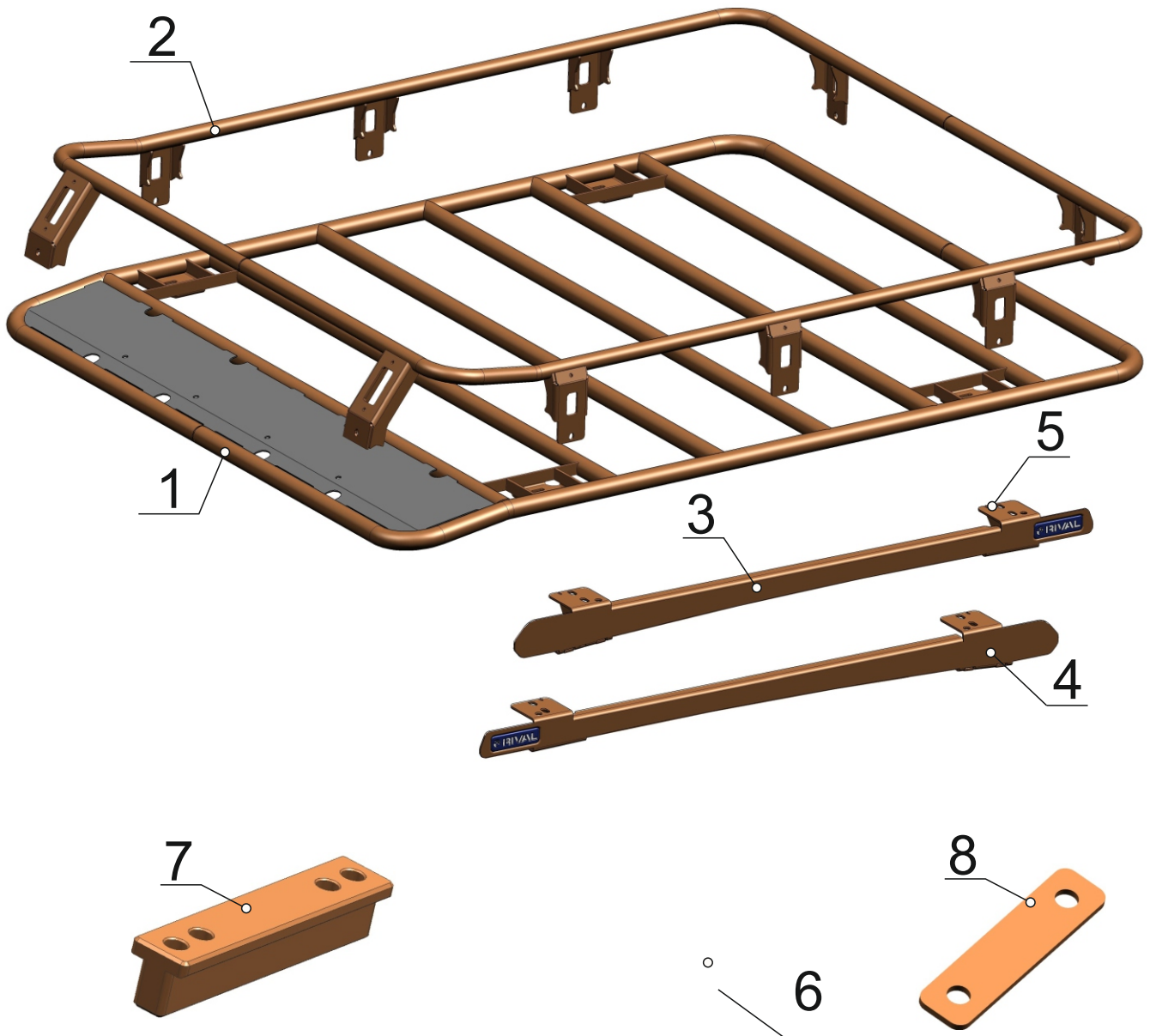
ADDITIONAL INFORMATION

*LIGHTS

There are mounting points located on roof rack for mounting 4 lights.
The distance between lights 200 mm.
Mounting hole diameter 9 mm.
Total mounting area length 600 mm.

PARTS LISTING

1. Lower rack.....	1 ШТ.
2. Upper basket.....	1 ШТ.
3. Left bracket.....	1 ШТ.
4. Right bracket.....	1 ШТ.
5. Deflector.....	1 ШТ.
6. Insert nut.....	10 ШТ.
7. Support.....	4 ШТ.
8. Inner panel.....	4 ШТ.
9. Bolt M8x25.....	16 ШТ.
10. Screw M8x20.....	18 ШТ.
11. Screw M6x20.....	2 ШТ.
12. Nut M8.....	8 ШТ.
13. Washer 8.....	18 ШТ.
14. Washer 8 big.....	24 ШТ.
15. Nut M6.....	2 ШТ.



INSTALLATION PROCEDURE



1. Open the bonnet.

Disconnect the negative battery terminal cable.



2. Remove door seals.

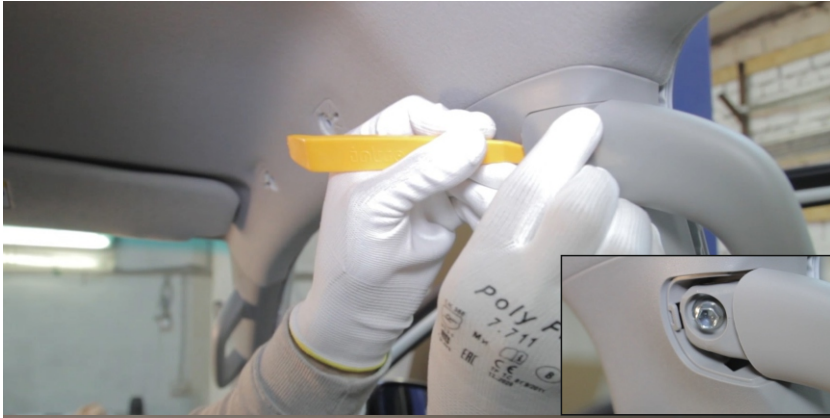


3. Remove handles.

*** Set aside for re-use later**



INSTALLATION PROCEDURE



4. Remove plugs from center door handles.



5. Remove handles.

*** Set aside for re-use later**



6. Remove kicker plates.



7. Remove lower bolts out of seat belt fitting from both left and right sides in the center.

*** Set aside for re-use later**

INSTALLATION PROCEDURE



8. Remove lower cabin panels in the center.



9. Open cups of upper cabin panels. Move panels down.



10. Remove plastic plug that covers bolts of sun visors.



11. Remove sun visors.

*** Set aside for re-use later**

INSTALLATION PROCEDURE



12. Remove front handles.

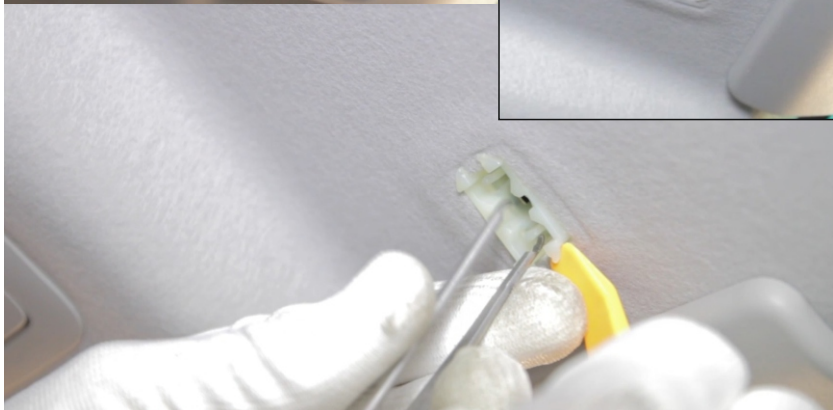
*** Set aside for re-use later**



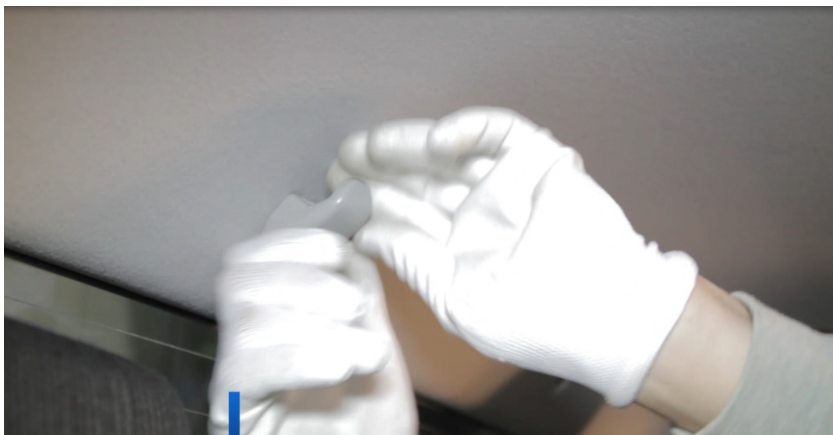
13. Remove plastic pannels.



14. Remove sun visor holders.



INSTALLATION PROCEDURE



15. Remove hooks above rear window by turning them 90 degrees.



16. Remove cap above rear window.



17. Remove center light cover.



18. Remove the light.

INSTALLATION PROCEDURE



19. Remove front cabin light.



20. Remove cabin cover.



21. Remove plastic panel from the slot.

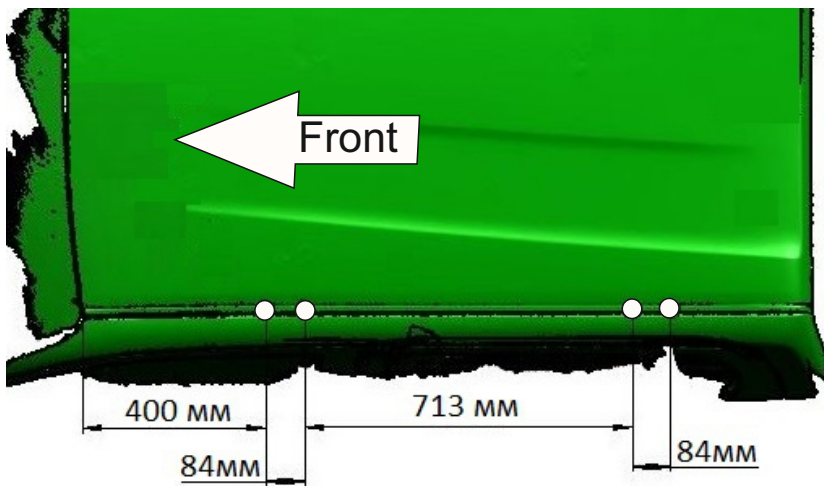


22. Remove sticky tape from the slot.



23. Place painting tape along the roof slot.

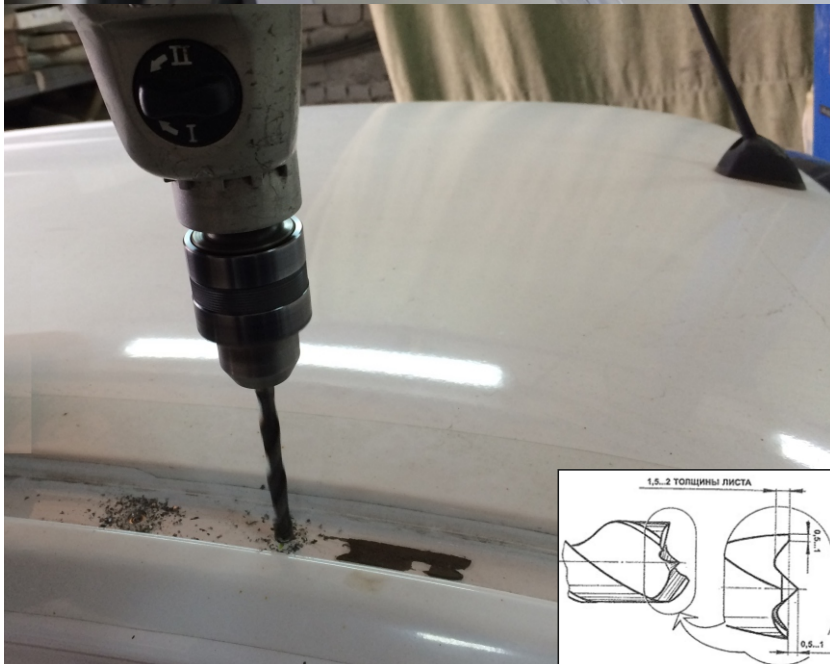
INSTALLATION PROCEDURE



24. Mark future holes in roof starting from wind shield.



25. Corn the points.

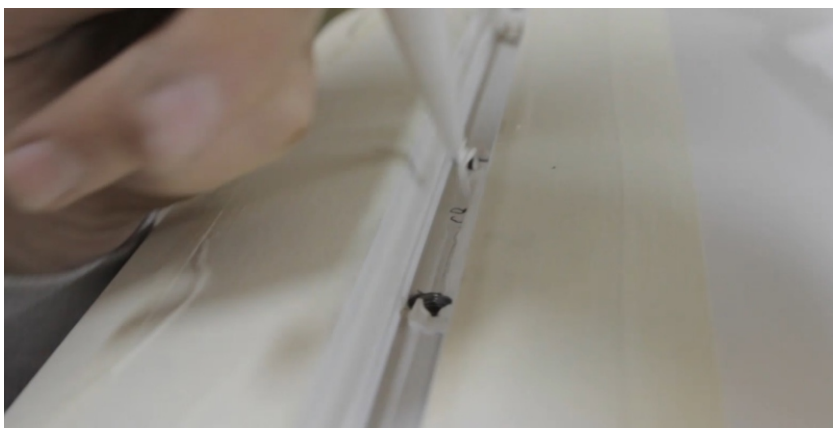


26. Drill 8 to 8,5 mm holes.

To avoid airbag damage, it's recommended to put a metal panel from another side of the roof while drilling.



INSTALLATION PROCEDURE



27. Apply polyurethane body sealant to where the supports (7) will be installed.



28. Mount supports (7) into the slots.



29. Apply polyurethane body sealant on inner panels (8).

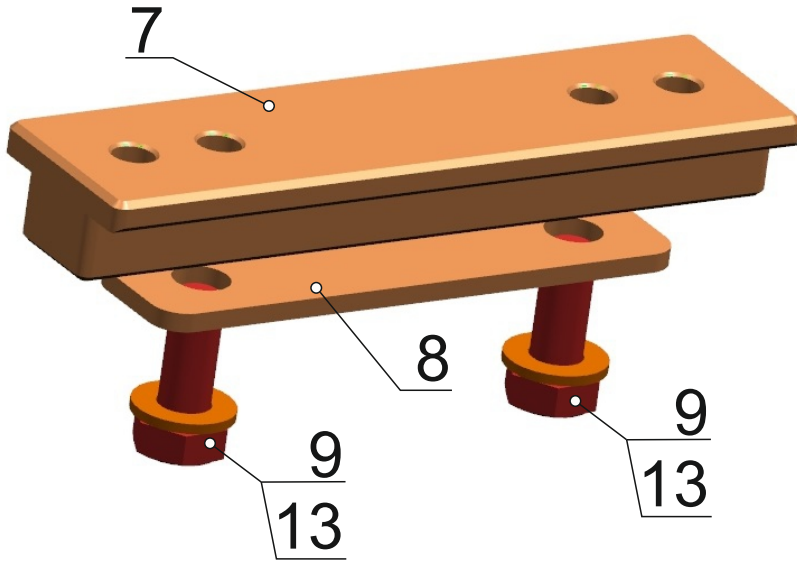


30. Apply polyurethane body sealant on thread of bolts M8x25 (9).

INSTALLATION PROCEDURE



31. Fix supports (7) by bolts M8x25 (9), washers (13) and inner panels (8) using drilled holes.



32. Cut plastic panels where they will place over the supports. Mount plastic panels back to the roof slots.



33. Remove painting tape.

INSTALLATION PROCEDURE



34. Install brackets pos. 3, pos.4 and pos. 5 on the car roof. Fasten using screws M8x20 pos.10 and washers pos. 14 to support pos. 7.



35. Install lower rack pos.1 at the brackets pos.3, pos.4 and pos.5. Fasten using bolts M8x25 pos.10, nuts M8 pos.12 and washers pos. 14.

36. Adjust the roof rack, tighten all the threaded junctions.



37. Install the upper basket pos. 2 and lower rack pos.1.

INSTALLATION PROCEDURE



38. Install upper basket pos.2 to the lower rack pos.1 using screws M8x20 pos.10, washers pos. 13 and insert nuts pos.6. Tighten all the threaded junctions.



39. Install deflector pos.5.

INSTALLATION PROCEDURE

Before operating a vehicle fitted with a Drivetech 4x4 Roof Rack by Rival:

- make sure all fittings are tightened
- check out the structural integrity of the roof rack and its components

